

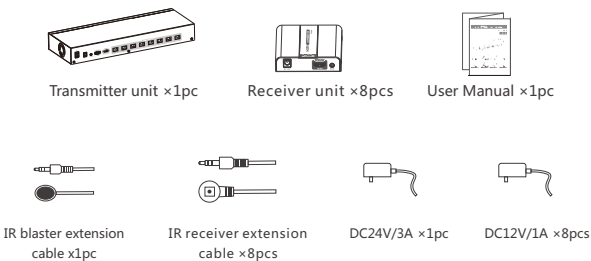
## • IMPORTANT SAFETY INSTRUCTIONS

1. Do not mix up the Transmitter and Receiver, and the IR blaster and IR receiver.
2. Do not plug-in/out the cables ,when it is in using.
3. Use DC 24V/3A, 12V/1A power supply only. Make sure the specification matched if using 3rd party DC adapters.

## • INTRODUCTION

This HDMI extender splitter (transmitter) works with 8 HDMI CAT6 extender receivers to distribute and extend 1 HDMI source to 8 HDMI displays over single CAT6/6A/7 cable up to 30m/98ft. The highest resolution supported is 4Kx2K@60Hz, and it supports IR passback, with EDID configuration. Ideal solution for exhibition, video conference and show center, etc.

## • PACKAGE CONTENTS



## • FEATURES

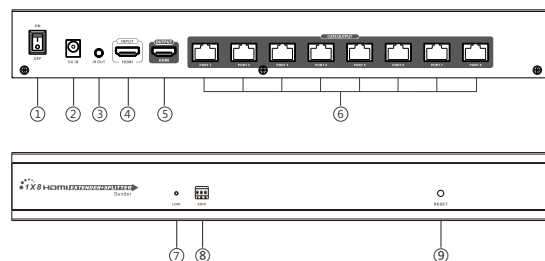
1. Plug and play.
2. Support 20~60KHz IR pass back.
3. Resolution supported up to 4Kx2K@60Hz.
4. Transmitter support one HDMI loop-out.
5. With EDID configuration.
6. Compatible with CAT6/6A/7 network cables.
7. Support distance up to 30m when 4K@60Hz, 50m when 4K@30Hz and 60m when 1080p@60Hz.
8. Distribute 1 HDMI source to 8 HDMI displays over network cable simultaneously.

## • INSTALLATION REQUIREMENTS

1. HDMI source device(computer graphics card, DVD,PS3, HD monitoring equipment etc).
2. HDMI display device like SDTV, HDTV, and projector with HDMI port.
3. UTP/STP CAT6/6A/7 cable, follow standard IEEE-568B.

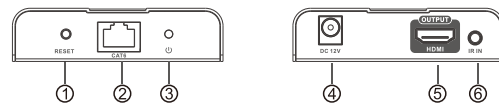
## • PANEL DESCRIPTION

### 1. Transmitter unit (TX)



① On/Off	Power switch
② DC IN	Connect with DC24V/3A power adapter
③ IR OUT	Connect with IR blaster extension cable
④ HDMI INPUT	Connect with the source device
⑤ HDMI OUTPUT	Connect with HDMI display device
⑥ CAT6 OUTPUT	Connect with CAT6 cable or better one
⑦ LINK	The light on indicates that the power is on, red light indicates there is no transmission, blue light indicates there is transmission
⑧ EDID	EDID switch
⑨ RESET	Press for restarting the unit

### 2. Receiver unit (RX)



① RESET	Press for restarting the unit
② CAT6	Connect with CAT6 cable or better one
③ ⏻	The light on indicates that the power is on, red light indicates there is no transmission, blue light indicates there is transmission
④ DC 12V	Connect with DC12V/1A power adapter
⑤ HDMI OUTPUT	Connect with HDMI display device
⑥ IR IN	Connect with IR receiver extension cable

## • INSTALLATION PROCEDURES

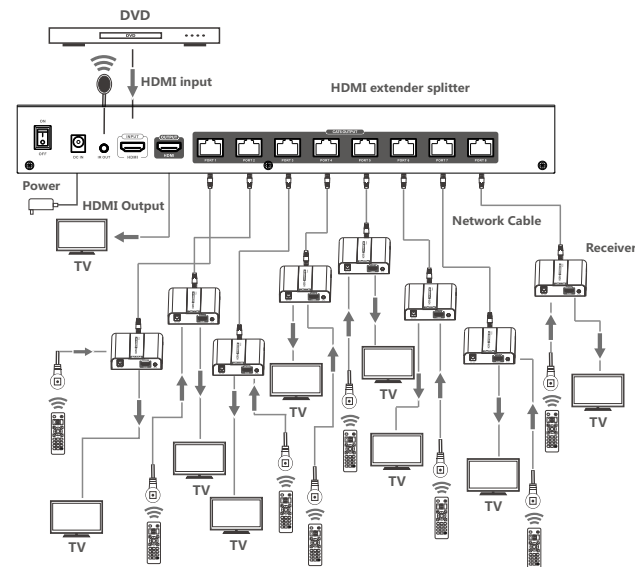
### 1. How to make a CAT6/6A/7 network cable

Follow the standard of IEEE-568B:

- 1- Orange/white
- 2- Orange
- 3- Green/white
- 4- Blue
- 5- Blue/white
- 6- Green
- 7- Brown/white
- 8- Brown



### 2. Connection



Remarks: Please do not remote control more than one RX unit's IR cable at the same time, to avoid the interference.

### 3. Connection instruction:

- 1) Connect the HDMI signal source device to HDMI INPUT port of the transmitter with HDMI cable.
- 2) Connect IR blaster to IR OUT port of the transmitter.
- 3) Connect CAT6 OUTPUT port of the transmitter to CAT6 port of the receiver with network cable.
- 4) Connect the display device to HDMI OUTPUT port of the transmitter with HDMI cable and select the corresponding HDMI signal channel on the display device.
- 5) Plug the power supply into the device to get started.

### 4. Operation instruction:

- 1) Before output HDMI signal, the splitter will read EDID information of connected TVs and send it back to HDMI source part to let it determine the output mode.
- 2) The splitter is build-in 8 kinds of EDID that can be selected by 3 switch codes, corresponding as following:



Switch Status			EDID Mode
SW1	SW2	SW3	
0	0	0	4K@60Hz(YCbCr 4:4:4) 7.1CH
1	0	0	4K@60Hz(YCbCr 4:2:0) 2CH
0	1	0	4K@30Hz 7.1CH
1	1	0	1080P@60Hz 7.1CH
0	0	1	1080i@60Hz 7.1CH
1	0	1	720P@60Hz 7.1CH
0	1	1	The higher video & audio standards will be chosen between the default EDID and the format that loop-out display support
1	1	1	The lower video & audio standards will be chosen between the default EDID and the format that loop-out display support

Note: The default EDID video & audio format is 4K@60Hz(YCbCr 4:2:0) 2CH

### • FAQ

- Q : No image or audio output on display ?
- A : 1) Please check whether the display is on standby mode;
- 2) Please make sure the HDMI port on HDMI display is correctly connected with HDMI cable;
  - 3) Please check the signal indicator LED on RX has turned blue from red;
  - 4) Please check whether the signal indicator LED on TX turns blue, LED on red means no input signal;
  - 5) Please check and make sure the transmitter input resolution is supported by this product.

Q : Image unstable ?

- A : 1) Press transmitter "RESET" button to re-identify the signal;
- 2) Please reconnect the network cable of the corresponding port.

Q : Only partial ports have output ?

- A : 1) Please check and make sure all the network cable connected well;
- 2) Press transmitter "RESET" button to re-identify the signal;
  - 3) Please reconnect the network cable of the corresponding port.

### • SPECIFICATION

Items	Specifications
Input	1 x HDMI
Output	8 x RJ45, 1xHDMI
HDMI signal	HDMI 2.0, compatible with HDCP 2.2
Resolutions	480i@60Hz, 480p@60Hz, 576i@50Hz, 576p@50Hz, 720p@50/60Hz, 1080i@50/60Hz, 1080p@50/60Hz 3840x2140@30/60Hz
IR signal	Support 20~60KHz IR device
Working temperature	0°C ~ 60°C

Storage temperature	-20°C ~ 70°C
Power supply	TX: DC24V/3A RX: 12V/1A
Power Consumption	TX: <50W RX: <6W
Dimensions	TX: 348.00(L) x 124.65(W) x 44.00(H) mm RX: 101.1(L) x 81.6(W) x 20.6(H)mm
Color	Black
Weight	TX : 1240g , RX : 230g

### Disclaimer

The product name and brand name may be registered trademark of related manufactures. ™ and ® may be omitted on the user manual. The pictures on the user manual are just for reference, and there may be some slight differences with the real products. The terms HDMI, HDMI High-Definition Multimedia Interface, and the HDMI Logo are trademarks or registered trademarks of HDMI Licensing Administrator, Inc. We reserve the rights to make changes without further notice to a product or system described herein to improve reliability, function or design.

## 1x8 HDMI Extender Splitter

User manual

4Kx2K  
60Hz

